



Isolation Switch Disconnecter

隔离开关

KEDU[®]

KEDU ELECTRIC Co. Ltd.

118 Songqiao Street,
Xiasha Economic and Technological Development Zone,
Jiangan District, Hangzhou, Zhejiang, P.R.China 310018

Tel: +86(0)571-56700777
Fax: +86(0)571-56700778

Puqi Industrial Zone
Hongqiao, Yueqing, Zhejiang, P.R.China 325608

Tel: +86(0)577-62388666
Fax: +86(0)577-62351114

kedu@kedu.cn

科都电气有限公司

地址: 杭州市江干区下沙经济开发区松乔街118号
邮编: 310018

电话: 0571-56700777
传真: 0571-56700778

地址: 浙江乐清市虹桥蒲岐工业区C座
邮编: 325608

电话: 0577-62388666
传真: 0577-62351114

邮箱: kedu@kedu.cn



www.kedu.cn



KEDU[®]

SWITCHED ON

Switch Disconnectors

16A, 25A, 32A,
40A, 63A, 80A, 125A



Lockable
Switch



Water
Resistant



Impact
Resistant



Modular
Design

With our patented technology rapid on/off switching between contacts is more stable combined with superior electrical performance and a higher life expectancy. The modular design has a complete set of accessories for flexible combinations. Also includes isolation, breaking and switching functions. It Can padlock, more safety and reliable

触头间通断迅速的专利技术, 接触更稳定, 电性能更优越, 寿命更高, 模块化设计, 附件齐全, 功能组活灵活多样, 集隔离, 分断, 开关功能于一体, 可挂锁, 更安全可靠。



Switch-Disconnectors

隔离开关



Description:

ZH37 Switch-disconnectors are widely used in Power Distribution systems and Automation systems for Buildings, Power, Petrochemical and other industries, can effectively solve the problems of emergency disconnection, safety disconnection, machine control and motor control.

.With integrated isolation, breaking and switching function, the high performance design means these products can be easily changed from Load Isolation Switches to Cam Switches and provide highly innovative solutions for many applications.

. With the instantaneous on/off structure, contact force is not affected by external forces, the contact pressure and the over travel remain stable during the operation of the handle to the action point.

.The switch housing is made of glass fibre reinforced unsaturated polyester resin and has high Flame Resistance, Dielectric, Anti-Carbonisation and Impact Resistance.

.A standard 3 pole Switch-disconnectors can be combined into a 6/8 pole Switch-disconnectors by the use of accessories.

.Installation Options: Screw Installation, Rail Installation or Door Installation.

.Can padlock, more safety and reliable, diameter of lock is $\phi 4 - \phi 5\text{mm}$.

Standard: EN60947-3 and GB14048.3.

. Degree of Protection: IP20 or IP67 (with Plastic or Aluminium enclosures).

描述:

ZH37 隔离开关广泛用于建筑、电力、石油化工及其他行业的配电系统和自动化系统,能有效的解决紧急断开、安全断开和机器控制,电动机控制等问题。

·集成隔离、分断和开关功能,精巧的设计使该系列产品能轻易的由隔离开关转变成转换开关,为许多应用场合提供创新性的解决方案。

·具有瞬时通断结构,即触头压力不受外界驱动速度的影响,手柄转到动作点之前的整个过程中,触头压力与超程保持稳定。

·由玻璃纤维增强不饱和聚脂树脂制造的外壳具有良好的阻燃性能、介电性能、抗碳化性。

·一个标准的3极隔离开关,通过使用附件,能组合成6/8极隔离开关。

·安装方式: 螺钉安装,导轨安装,门安装。

·可加挂锁,更安全可靠(挂锁直径 $\phi 4 - \phi 5\text{mm}$)

·执行标准: EN60947-3, GB14048.3

·防护等级: IP20 or IP67 (带塑料盒或铝盒)

Type and meaning 型号及含义:

ZH37 - 3 40 C P^① B^②

Handle Options:

B: Rotating black handle R: Rotating red/yellow handle

Enclosure Options:

P: Plastic enclosure M: Aluminium enclosure

Operating Options:

Empty: Direct operation mode
C: Door Installation mode
E: Switch in enclosure

Rated current(A):

16, 20, 25, 32, 40, 63, 80, 100, 125A

Poles: 3: 3P, 4: 4P

Type of Switch-disconnectors

手柄:

B: 黑色旋转手柄 R: 红/黄旋转手柄

开关盒:

P: 塑料盒 M: 铝盒

操作方式:

空: 直接操作方式
C: 门安装方式
E: 带盒开关

额定电流(A):

16, 20, 25, 32, 40, 63, 80, 100, 125A

极数: 3: 3P, 4: 4P

隔离开关型号

① Only applied to switch in enclosure
只适用于带盒开关

② Don't applied to Direct operation mode
不适用于直接操作方式

Switch-Disconnectors

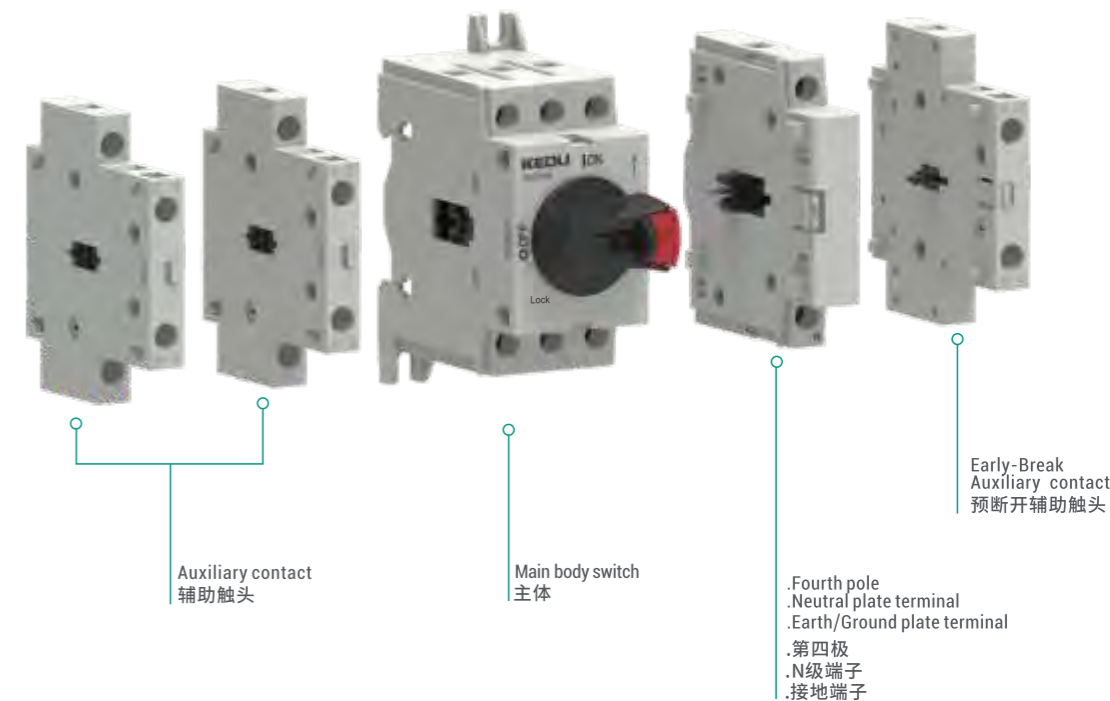
隔离开关



Accessory: 附件:

Mounting and removal of the fourth pole and auxiliary contact are quick and simple without tools.

无需工具即可安装和拆下第四极和辅助触头,操作简单快速。

Auxiliary contact
辅助触头Main body switch
主体Early-Break
Auxiliary contact
预断开辅助触头
Fourth pole
Neutral plate terminal
Earth/Ground plate terminal
第四极
N级端子
接地端子

Add-on Auxiliary Contacts:

One only add-on block suitable for all the ZH37 switch disconnectors, having simultaneous operation with the switch poles. Versions available with an early-break NO contact.



附加辅助触头

Zh37系列隔离开关采用同一种辅助触头,辅助触头与开关主极同时动作,根据需要可提供一个具有预断开功能的常开触头。



Maximum Combinations:

Mounting up to 4 auxiliary contacts or 1 fourth pole and 3 auxiliary contacts (2 blocks always on the right and 2 on the left side) of each switch disconnector.

最多组合

每个隔离开关最多可安装四个辅助附件(2个在右,2个在左)

Side Mount Add-on Fourth Pole

Side Mount Add-on Fourth Pole: Simultaneous or early contact operation of the fourth pole with respect to the switch disconnector poles.



用于侧面安装附加第四极
第四极同时或提前于开关主极闭合。

6 and 8 Pole

A mechanical combination system is available for the 16A to 63A switch disconnectors with direct operating handle to provide 6/8 pole disconnectors, along with a mechanical interlock mechanism for the line changeover function.

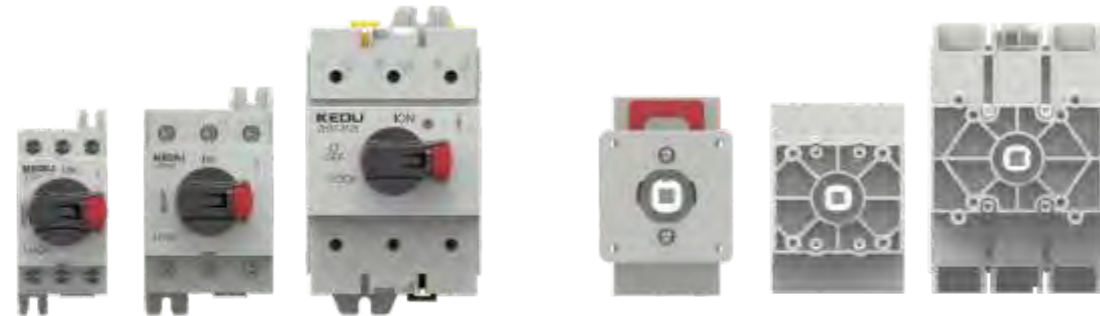


6极和8极

通过机械组合系统可实现6/8极隔离开关功能,通过机械互锁机构可实现转换开关功能。

Switch-Disconnectors

隔离开关



Direct operation mode
直接操作方式

Fast door installation mode
快速门安装方式

Door installation mode
△门安装方式

Width 宽度	36mm							52.5mm							71.4mm																		
Current 电流	16A	25A	32A	40A	63A	80A	100A	125A	16A	25A	32A	40A	63A	80A	100A	125A	16A	25A	32A	40A	63A	80A	100A	125A									
Type 型号	36mm																																
	3P	ZH37-316	ZH37-325	ZH37-332	ZH37-340	ZH37-363	ZH37-380	ZH37-3100	ZH37-3125	ZH37-316C	ZH37-325C	ZH37-332C	ZH37-340C	ZH37-363C	ZH37-380C	ZH37-3100C	ZH37-3125C	3P	ZH37-416	ZH37-425	ZH37-432	ZH37-440	ZH37-463	ZH37-480	ZH37-4100	ZH37-4125	ZH37-416C	ZH37-425C	ZH37-432C	ZH37-440C	ZH37-463C	ZH37-480C	ZH37-4100C
IEC conventional free air thermal current Ith 发热电流(≤40°C) (≤690V)	16A 25A 32A 40A 63A 80A 100A 125A 16A 25A 32A 40A 63A 80A 100A 125A 16A 25A 32A 40A 63A 80A 100A 125A																																
IEC rated operational current Ie 额定工作电流 AC-21A/B (≤690V)	16A 25A 32A 40A 63A 80A 100A 125A 16A 25A 32A 40A 63A 80A 100A 125A 16A 25A 32A 40A 63A 80A 100A 125A																																
IEC rated operational current Ie 额定工作电流 AC-22A/B	415V	16A 25A 32A 40A 63A 80A 100A 125A 16A 25A 32A 40A 63A 80A 100A 125A 16A 25A 32A 40A 63A 80A 100A 125A																															
	500V	16A 20A 25A 32A 63A 63A 80A 100A 16A 20A 25A 32A 63A 63A 80A 100A 16A 20A 25A 32A 63A 63A 80A 100A																															
	690V	16A 20A 25A 25A 40A 40A 63A 63A 16A 20A 25A 25A 40A 40A 63A 63A																															
IEC rated operational power (3 phase) 额定工作功率 (三相) AC-23A/B	415V	7.5KW 11KW 15KW 18.5KW 30KW 37KW 45KW 55KW 7.5KW 11KW 15KW 18.5KW 30KW 37KW 45KW 55KW 7.5KW 11KW 15KW 18.5KW 30KW 37KW 45KW 55KW																															
	500V	7.5KW 11KW 15KW 18.5KW 30KW 37KW 45KW 55KW 7.5KW 11KW 15KW 18.5KW 30KW 37KW 45KW 55KW 7.5KW 11KW 15KW 18.5KW 30KW 37KW 45KW 55KW																															
	690V	7.5KW 15KW 15KW 15KW 30KW 37KW 45KW 55KW 7.5KW 15KW 15KW 15KW 30KW 37KW 45KW 55KW																															
Fuse class 保险丝规格	415V 16A 25A 32A 40A 63A 80A 100A 125A 16A 25A 32A 40A 63A 80A 100A 125A																																
Rated conditional short-circuit current 额定限制短路电流	415V 10KA 15KA 20KA 10KA 15KA 20KA																																
Rated short-time withstand current 额定短时耐受电流	690V 1000A 1500A 2500A 1000A 1500A 2500A																																
Rated short-circuit making capacity 额定短路接通能力	690V 800A 1400A 2100A 800A 1400A 2100A																																
Cross area of terminals 端子的接线截面积	0.75~10mm² 1.5~35mm² 10~70mm² 0.75~10mm² 1.5~35mm² 10~70mm²																																
Rated insulation voltage Ui 额定绝缘电压	800V																																
Rated impulse withstand voltage Uimp 额定冲击耐受电压	8KV																																
Mechanical Endurance 机械寿命	40000																																
Electrical Endurance 电气寿命	20000																																
Ambient Temperature 环境温度	Operating 操作 -25...+55°C Storage 存储 -40...+70°C																																
Maximum altitude 最高海拔	3000m																																
Fixing 固定	By screw or on 35mm Din rail (IEC/EN 60715) 螺钉或35mm标准导轨																																

Notes: △The Product is under development 注: △该产品正在开发中

Switch-Disconnectors

隔离开关



Switch-disconnectors in Plastic Enclosures
塑料盒隔离开关

Switch-disconnectors in Aluminium Enclosures
铝盒隔离开关

Width 宽度	105mm				135mm				205mm				105mm				135mm				205mm												
Current 电流	16A	25A	32A	40A	63A	80A	100A	125A	16A	25A	32A	40A	63A	80A	100A	125A	16A	25A	32A	40A	63A	80A	100A	125A	16A	25A	32A	40A	63A	80A	100A	125A	
Type 型号	105mm																																
	3P	ZH37-316EP	ZH37-325EP	ZH37-332EP	ZH37-340EP	ZH37-363EP	ZH37-380EP	ZH37-3100EP	ZH37-3125EP	ZH37-316EM	ZH37-325EM	ZH37-332EM	ZH37-340EM	ZH37-363EM	ZH37-380EM	ZH37-3100EM	ZH37-3125EM	3P	ZH37-416EP	ZH37-425EP	ZH37-432EP	ZH37-440EP	ZH37-463EP	ZH37-480EP	ZH37-4100EP	ZH37-4125EP	ZH37-416EM	ZH37-425EM	ZH37-432EM	ZH37-440EM	ZH37-463EM	ZH37-480EM	ZH37-4100EM
IEC conventional free air thermal current Ith 发热电流(≤40°C) (≤690V)	16A 25A 32A 40A 63A 80A 100A 125A 16A 25A 32A 40A 63A 80A 100A 125A 16A 25A 32A 40A 63A 80A 100A 125A																																
IEC rated operational current Ie 额定工作电流 AC-21A/B (≤690V)	16A 25A 32A 40A 63A 80A 100A 125A 16A 25A 32A 40A 63A 80A 100A 125A 16A 25A 32A 40A 63A 80A 100A 125A																																
IEC rated operational current Ie 额定工作电流 AC-22A/B	415V	16A 25A 32A 40A 63A 80A 100A 125A 16A 25A 32A 40A 63A 80A 100A 125A 16A 25A 32A 40A 63A 80A 100A 125A																															
	500V	16A 20A 25A 32A 63A 63A 80A 100A 16A 20A 25A 32A 63A 63A 80A 100A 16A 20A 25A 32A 63A 63A 80A 100A																															
	690V	16A 20A 25A 25A 40A 40A 63A 63A 16A 20A 25A 25A 40A 40A 63A 63A																															
IEC rated operational power (3 phase) 额定工作功率 (三相) AC-23A/B	415V	7.5KW 11KW 15KW 18.5KW 30KW 37KW 45KW 55KW 7.5KW 11KW 15KW 18.5KW 30KW 37KW 45KW 55KW 7.5KW 11KW 15KW 18.5KW 30KW 37KW 45KW 55KW																															
	500V	7.5KW 11KW 15KW 18.5KW 30KW 37KW 45KW 55KW 7.5KW 11KW 15KW 18.5KW 30KW 37KW 45KW 55KW 7.5KW 11KW 15KW 18.5KW 30KW 37KW 45KW 55KW																															
	690V	7.5KW 15KW 15KW 15KW 30KW 37KW 45KW 55KW 7.5KW 15KW 15KW 15KW 30KW 37KW 45KW 55KW																															
Fuse class 保险丝规格	415V 16A 25A 32A 40A 63A 80A 100A 125A 16A 25A 32A 40A 63A 80A 100A 125A																																
Rated conditional short-circuit current 额定限制短路电流	415V 10KA 15KA 20KA 10KA 15KA 20KA																																
Rated short-time withstand current 额定短时耐受电流	690V 1000A 1500A 2500A 1000A 1500A 2500A																																
Rated short-circuit making capacity 额定短路接通能力	690V 800A 1400A 2100A 800A 1400A 2100A																																
Cross area of terminals 端子的接线截面积	0.75~10mm² 1.5~35mm² 10~70mm² 0.75~10mm² 1.5~35mm² 10~70mm²																																
Rated insulation voltage Ui 额定绝缘电压	800V																																
Rated impulse withstand voltage Uimp 额定冲击耐受电压	8KV																																
Mechanical Endurance 机械寿命	40000																																
Electrical Endurance 电气寿命	20000																																
Ambient Temperature 环境温度	Operating 操作 -25...+55°C Storage 存储 -40...+70°C																																
Maximum altitude 最高海拔	3000m																																
Fixing 固定	By screw 螺钉																																



Switch-Disconnectors

隔离开关



Side mount add-on poles

侧面安装附加极



ZH37PA40 ZH37PA40C △ ZH37PA63 ZH37PA63C △ ZH37PA80 ZH37PA80C △ ZH37PA100 ZH37PA100C △ ZH37PA125 ZH37PA125C △

Fourth pole, simultaneous closing operation as switch poles
第四极, 同步闭合的分断开关主极

Type 型号	IEC conventional free air thermal current I _{th} AC21A(≤690V) 热电流	IEC rated operational current I _e AC22A(≤690V) AC23A(≤415V) 额定工作电流	Width 宽度	Applied to 适用于	Function 功能
ZH37PA40	40A	40A	12mm	ZH37-316 ~ ZH37-340	
ZH37PA63	63A	63A	17.5mm	ZH37-363	
ZH37PA80	80A	80A	17.5mm	ZH37-380	
ZH37PA100	100A	100A	23.8mm	ZH37-3100	
ZH37PA125	125A	125A	23.8mm	ZH37-3125	
ZH37PA40C	40A	40A	12mm	ZH37-316C ~ ZH37-340C	
ZH37PA63C	63A	63A	17.5mm	ZH37-363C	
ZH37PA80C	80A	80A	17.5mm	ZH37-380C	
ZH37PA100C	100A	100A	23.8mm	ZH37-3100C	
ZH37PA125C	125A	125A	23.8mm	ZH37-3125C	

Notes: △The Product is under development 注: △ 该产品正在开发中

Switch-Disconnectors

隔离开关



Side mount add-on poles

侧面安装附加极



ZH37PB40 ZH37PB40C △ ZH37PB80 ZH37PB80C △ ZH37PB125 ZH37PB125C △

Fourth pole, early-make closing operation with respect to switch poles
第四极, 提前闭合的分断开关主极

Type 型号	IEC conventional free air thermal current I _{th} AC21A(≤690V) 热电流	IEC rated operational current I _e AC22A(≤690V) AC23A(≤415V) 额定工作电流	Width 宽度	Applied to 适用于	Function 功能
ZH37PB40	40A	40A	12mm	ZH37-316 ~ ZH37-340	
ZH37PB80	80A	80A	17.5mm	ZH37-363, ZH37-380	
ZH37PB125	125A	125A	23.5mm	ZH37-3100, ZH37-3125	
ZH37PB40C	40A	40A	12mm	ZH37-316C ~ ZH37-340C	
ZH37PB80C	80A	80A	17.5mm	ZH37-363C, ZH37-380C	
ZH37PB125C	125A	125A	23.5mm	ZH37-3100C, ZH37-3125C	

Notes: △The Product is under development 注: △ 该产品正在开发中

Switch-Disconnectors

隔离开关



Side mount add-on poles

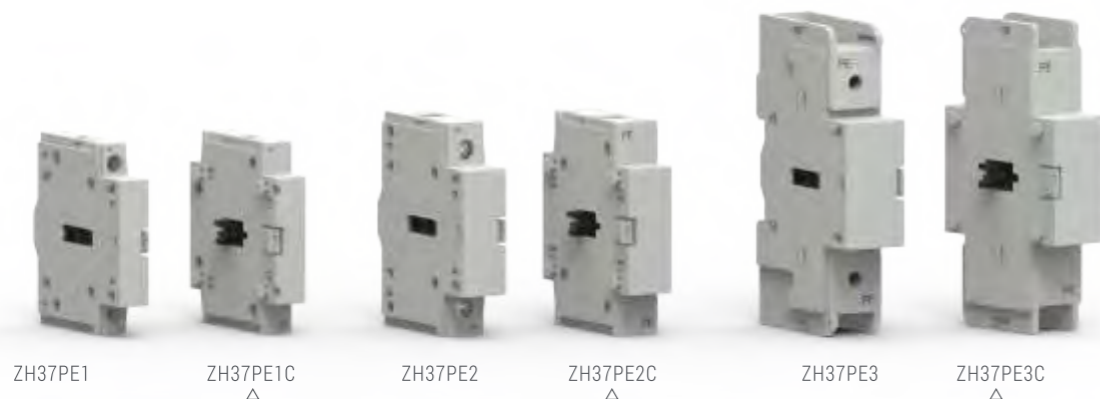
侧面安装附加极



ZH37PN1 ZH37PN1C ZH37PN2 ZH37PN2C ZH37PN3 ZH37PN3C

Neutral plate terminal N极端子

Type 型号	Width 宽度	(Ith) 热电流	Applied to 适用于	Function 功能
ZH37PN1	12mm	40A	ZH37-316~ZH37-340	
ZH37PN2	17.5mm	80A	ZH37-363,ZH37-380	
ZH37PN3	23.8mm	125A	ZH37-3100,ZH37-3125	
ZH37PN1C	12mm	40A	ZH37-316C~ZH37-340C	
ZH37PN2C	17.5mm	80A	ZH37-363C,ZH37-380C	
ZH37PN3C	23.8mm	125A	ZH37-3100C,ZH37-3125C	



ZH37PE1 ZH37PE1C ZH37PE2 ZH37PE2C ZH37PE3 ZH37PE3C

Earth/Ground plate terminal 接地端子

Type 型号	Width 宽度	(Ith) 热电流	Applied to 适用于	Function 功能
ZH37PE1	12mm	40A	ZH37-316~ZH37-340	
ZH37PE2	17.5mm	80A	ZH37-363,ZH37-380	
ZH37PE3	23.8mm	125A	ZH37-3100,ZH37-3125	
ZH37PE1C	12mm	40A	ZH37-316C~ZH37-340C	
ZH37PE2C	17.5mm	80A	ZH37-363C,ZH37-380C	
ZH37PE3C	23.8mm	125A	ZH37-3100C,ZH37-3125C	

Notes: △The Product is under development 注: △ 该产品正在开发中

Switch-Disconnectors

隔离开关



Add-on auxiliary contacts

One only add-on block suitable for all the ZH37 switch disconnectors, having simultaneous operation with the switch poles. Versions available with an early-break NO contact.

附加辅助触头

ZH37系列隔离开关采用同一种辅助触头,辅助触头与开关主极同时动作,根据需要可提供一个具有预断开功能的常开触头。

Auxiliary contact,simultaneous closing operation with switch pole
(Applied to all the ZH37 Switch-disconnectors)

辅助触头,与开关极同步动作(适用于所有ZH37隔离开关)



ZH37FA11 ZH37FA11C
ZH37FA20 ZH37FA20C

Type 型号	Function 功能	Width 宽度	Parameter 参数	Function 功能
ZH37FA11	1NO+1NC	9mm	AC-13:10A,230V~ AC-15:6A,230V~	1NO+1NC 2NO
ZH37FA20	2NO	9mm		
ZH37FA11C	1NO+1NC	9mm		
ZH37FA20C	2NO	9mm		

Early-break auxiliary contact

预断开辅助触头,比开关极提前断开



ZH37FE10 ZH37FE10C

Type 型号	Width 宽度	Parameter 参数	Function 功能
ZH37FE10	9mm	AC-13:10A,230VAC AC-15:6A,230VAC	
ZH37FE10C	9mm		

Terminal cover 端子罩



3P 1P

Type 型号	Poles 极数	Description 描述
ZH37TS13	3P	Applied to main body switch of 16A to 40A 用于16A至40A的主体开关
ZH37TS11	1P	Applied to fourth pole of 16A to 40A 用于16A至40A第四极
ZH37TS23	3P	Applied to main body switch of 63A to 80A 用于63A至80A的主体开关
ZH37TS21	1P	Applied to fourth pole of 63A to 80A 用于63A至80A第四极
ZH37TS33	3P	Applied to main body switch of 100A to 125A 用于100A至125A的主体开关
ZH37TS31	1P	Applied to fourth pole of 100A to 125A 用于100A至125A第四极

Notes: △The Product is under development 注: △ 该产品正在开发中

Switch-Disconnectors

隔离开关



Mechanical combination system 机械组合系统
Mechanical interlock mechanism 机械互锁机构



Type 型号	Applied to 适用于	Size 大小	Description 描述
ZH37CK11	ZH37-316~ZH37-340	□5mm	Mechanical combination system :for 6/8 pole combination 机械组合系统:用于6/8极组合
ZH37CK21	ZH37-363~ZH37-380	□5mm	
ZH37CK12	ZH37-316~ZH37-380	□5mm	Mechanical interlock mechanism : for 3/4 pole I-O-II conversion 机械互锁机构:用于3/4极I-O-II转换
ZH37CK22	ZH37-363~ZH37-380	□5mm	

Shaft extension 扩展轴



Type 型号	Length 长度	Size 大小
ZH37SF515	150mm	□5mm
ZH37SF520	200mm	□5mm
ZH37SF532	320mm	□5mm
ZH37SF615	150mm	□6mm
ZH37SF620	200mm	□6mm
ZH37SF632	320mm	□6mm

Rotating Handle Parts 旋转式手柄部件



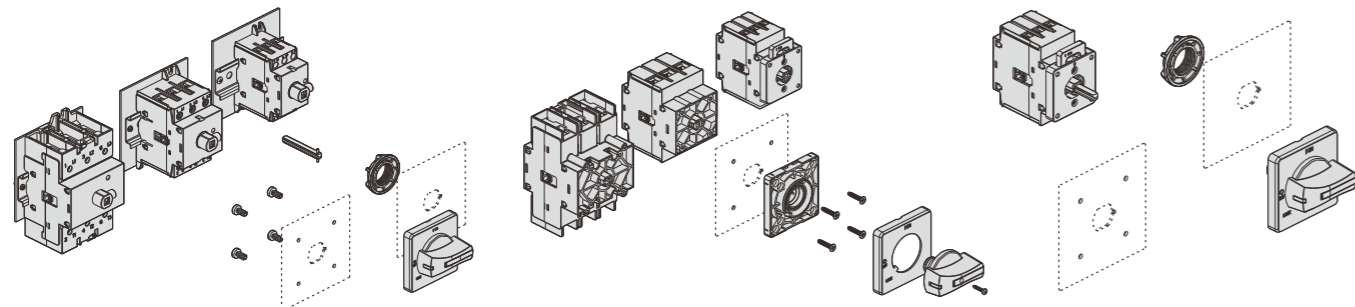
ZH37HX11B ZH37HX11R



ZH37HX31B ZH37HX21B

Type 型号	Fixing method 固定方式	Size 大小	Description 描述
ZH37HX11*	Nut/screw 螺母/螺钉	□65mm	Applied to 16A to 80A for outside of cabinet face operation mode 用于16A至80A的柜外正面操作方式
ZH37HX12*	Nut/screw 螺母/螺钉	□72mm	Applied to 16A to 80A for outside of cabinet face operation mode 用于16A至80A的柜外正面操作方式
ZH37HX13*	Nut/screw 螺母/螺钉	□96mm	Applied to 100A to 125A for outside of cabinet face operation mode 用于100A至125A的柜外正面操作方式
ZH37HX21*	Screw 螺钉	□65mm	Applied to 16A to 80A for outside of cabinet face operation mode 用于16A至80A的柜外正面操作方式
ZH37HX22*	Screw 螺钉	□72mm	Applied to 16A to 80A for door installation mode 用于16A至80A的门安装方式
ZH37HX23*	Screw 螺钉	□96mm	Applied to 100A to 125A for door installation mode 用于100A至125A的门安装方式
ZH37HX31*	Nut 螺母	□65mm	Applied to 16A to 40A fast door installation mode 用于16A至40A的快速门安装方式

*:R:Rotating red/yellow handle B:Rotating black handle
*:R:红/黄色旋转手柄 B:黑色旋转手柄



Outside of cabinet face operation mode
柜外正面操作方式

Door installation mode
门安装方式

Fast Door installation mode
快速门安装方式

Switch-Disconnectors

隔离开关



Sequence and maximum combination of add-on blocks on direct operation mode and outside of cabinet face operation mode

直接操作方式和柜外正面操作方式的辅助模块安装顺序及最多组合方式:



Early-break Auxiliary contact 预断开辅助触头	Auxiliary contact 辅助触头	Add on pole 附加极			Main body switch 主体开关	Add on pole 附加极			Early-break Auxiliary contact 预断开辅助触头	
		Fourth pole 第四极	Neutral plate terminal N极端子	Earth/Ground plate terminal 接地端子		Fourth pole 第四极	Neutral plate terminal N极端子	Earth/Ground plate terminal 接地端子		Auxiliary contact 辅助触头
ZH37FE10	ZH37FA11 ZH37FA12	ZH37PA40 To至 ZH37PA125 ZH37PB40 To至 ZH37PB125	ZH37PN1 ZH37PN2 ZH37PN3	ZH37PE1 ZH37PE2 ZH37PE3	ZH37-316 To至 ZH37-3125	ZH37PA40 To至 ZH37PA125 ZH37PB40 To至 ZH37PB125	ZH37PN1 ZH37PN2 ZH37PN3	ZH37PE1 ZH37PE2 ZH37PE3	ZH37FA11 ZH37FA12	ZH37FE10
			*			*				
-	1		1		ZH37-316 ZH37-325 ZH37-332 ZH37-340 ZH37-363 ZH37-380 ZH37-3100 ZH37-3125				2	-
-	2		-				1		1	-
1	-		1				-		2	-
-	2		-				1		-	1
-	2		-				-		2	-
-	2		-				-		-	1
1	-		-				-		2	-
-	1		1				1		1	-
-	1		1				1		-	1
1	-		1				1		1	-

* Check Page05 -08 description for application type
具体适用型号见P05-P08页的描述说明

Notes: 2 ZH37PA...or 2 ZH37PB...or 1 ZH37PA...+ 1 ZH37PB...is not allowable,
That is, the two fourth poles can not be used simultaneously with the main switch

注意: 两个ZH37PA...or ZH37PB...或1个ZH37PA...+ 1个ZH37PB...是不允许的,
即两个第四极不能同时配合主体开关使用

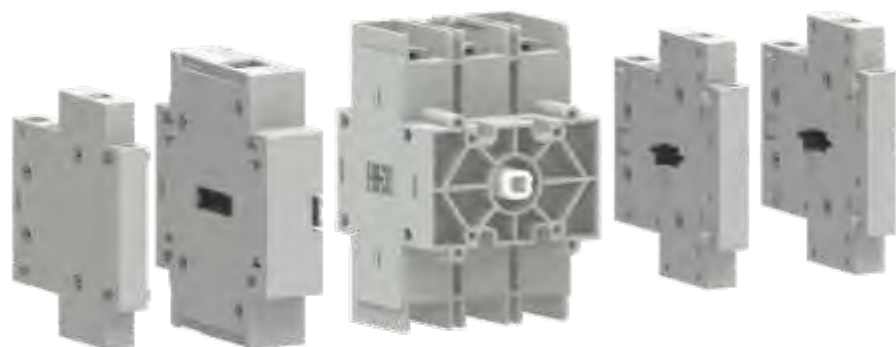
Switch-Disconnectors

隔离开关



Sequence and maximum combination of add-on blocks on door installation mode

门安装方式的辅助模块安装顺序及最多组合方式:



Early-break Auxiliary contact 预断开辅助触头	Auxiliary contact 辅助触头	Add on pole 附加极			Main body switch 主体开关	Add on pole 附加极			Auxiliary contact 辅助触头	Early-break Auxiliary contact 预断开辅助触头
		Fourth pole 第四极	Neutral plate terminal N极端子	Earth/Ground plate terminal 接地端子		Fourth pole 第四极	Neutral plate terminal N极端子	Earth/Ground plate terminal 接地端子		
ZH37FE10C	ZH37FA11C ZH37FA12C	ZH37PA40C To至 ZH37PA125C ZH37PB40C To至 ZH37PB125C	ZH37PN1C ZH37PN2C ZH37PN3C	ZH37PE1C ZH37PE2C ZH37PE3C	ZH37-316C To至 ZH37-3125C	ZH37PA40C To至 ZH37PA125C ZH37PB40C To至 ZH37PB125C	ZH37PN1C ZH37PN2C ZH37PN3C	ZH37PE1C ZH37PE2C ZH37PE3C	ZH37FA11C ZH37FA12C	ZH37FE10C
-	1		1						2	-
-	2		-		ZH37-316C		1		1	-
1	-		1		ZH37-325C		-		2	-
-	2		-		ZH37-332C		1		-	1
-	2		-		ZH37-340C		-		2	-
-	2		-		ZH37-363C		-		-	1
1	-		-		ZH37-380C		-		2	-
-	1		1		ZH37-3100C		-		2	-
-	1		1		ZH37-3125C		1		1	-
-	1		1				1		-	1
1	-		1				1		1	-

* Check Page05-08 description for application type
具体适用型号见P05-P08页的描述说明。

Notes: 2 ZH37PA...or 2 ZH37PB...or 1 ZH37PA...+ 1 ZH37PB...is not allowable,
That is, the two fourth poles can not be used simultaneously with the main switch

注意: 两个ZH37PA...或 ZH37PB...或 1个ZH37PA...+ 1个ZH37PB...是不允许的,
即两个第四极不能同时配合主体开关使用。

Switch-Disconnectors

隔离开关



Sequence and maximum combination of add-on blocks 6/8 poles Load-disconnector switch

6极和8极主体的辅助模块安装顺序及最多组合方式:



Early-break Auxiliary contact 预断开辅助触头	Auxiliary contact 辅助触头	Add on pole 附加极			Main body switch 主体开关	Add on pole 附加极			Auxiliary contact 辅助触头	Early-break Auxiliary contact 预断开辅助触头
		Fourth pole 第四极	Neutral plate terminal N极端子	Earth/Ground plate terminal 接地端子		Fourth pole 第四极	Neutral plate terminal N极端子	Earth/Ground plate terminal 接地端子		
ZH37FE10	ZH37FA11 ZH37FA12	ZH37PA40 To至 ZH37PA125	ZH37PN1 ZH37PN2 ZH37PN3	ZH37PE1 ZH37PE2 ZH37PE3	ZH37-316 To至 ZH37-3125	ZH37PA40 To至 ZH37PA125	ZH37PN1 ZH37PN2 ZH37PN3	ZH37PE1 ZH37PE2 ZH37PE3	ZH37FA11 ZH37FA12	ZH37FE10
-	1		1						1	-
-	1		1						-	2
-	2		-		ZH37-316		1		1	-
1	-		1		ZH37-325		-		2	-
-	2		-		ZH37-332		1		-	1
-	2		-		ZH37-340		-		-	1
-	2		-		ZH37-363		-		2	-
-	1		1		ZH37-380		-		-	1
1	-		-		ZH37-100		1		1	-
					ZH37-125					

* Check Page05-08 description for application type
具体适用型号见P05-P08页的描述说明。

Switch Disconnectors

IP67 / IK08 with Plastic
or Aluminum enclosures



塑料盒或铝盒隔离开关



铝盒隔离开关

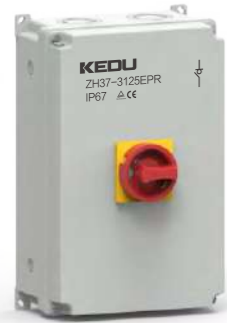
IP67	IK08	16A	25A	32A	40A
		63A	80A	100A	125A

Switch-Disconnectors

隔离开关

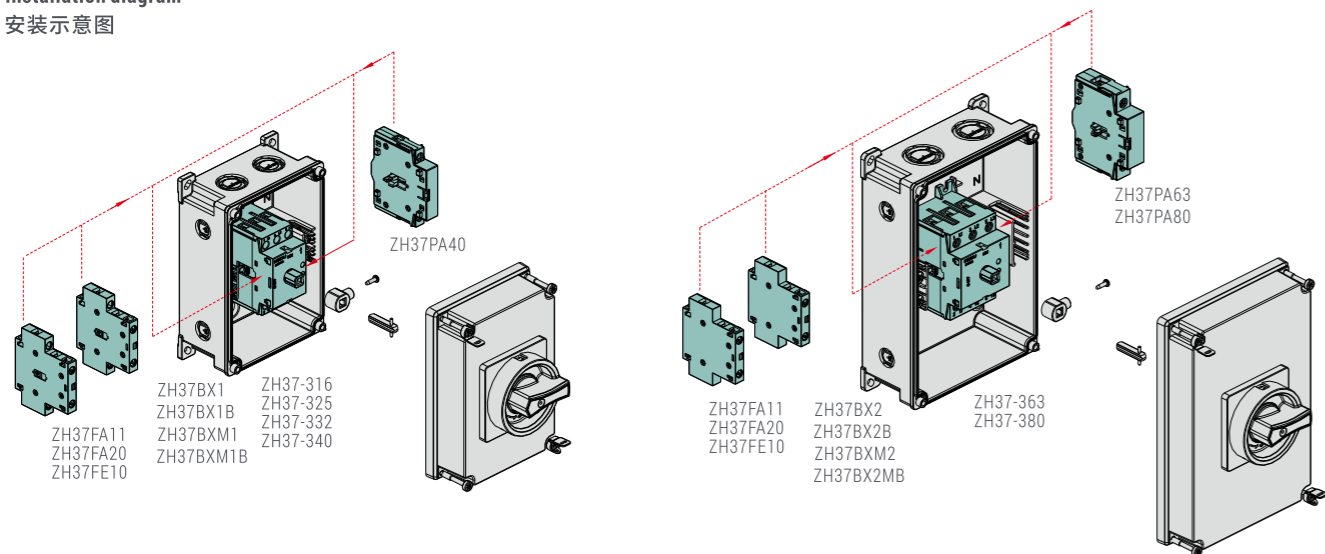


Switch-disconnectors in Plastic Enclosures 塑料盒隔离开关



Type 型号	IEC conventional free air thermal current Ith AC21A(≤690V) 热电流 [A]	Components Enclosure 空盒子	Switch Disconnector 主体开关	Fourth pole 第四极
Three pole, with rotating red/yellow handle 3极, 带红/黄旋转手柄				
ZH37-316EPR	16	ZH37BX1	ZH37-316	
ZH37-325EPR	25	ZH37BX1	ZH37-325	
ZH37-332EPR	32	ZH37BX1	ZH37-332	
ZH37-340EPR	40	ZH37BX1	ZH37-340	
ZH37-363EPR	63	ZH37BX2	ZH37-363	
ZH37-380EPR	80	ZH37BX2	ZH37-380	
ZH37-3100EPR	100	ZH37BX3	ZH37-3100	
ZH37-3125EPR	125	ZH37BX3	ZH37-3125	
Three pole, with rotating black handle 3极, 带黑色旋转手柄				
ZH37-316EPB	16	ZH37BX1B	ZH37-316	
ZH37-325EPB	25	ZH37BX1B	ZH37-325	
ZH37-332EPB	32	ZH37BX1B	ZH37-332	
ZH37-340EPB	40	ZH37BX1B	ZH37-340	
ZH37-363EPB	63	ZH37BX2B	ZH37-363	
ZH37-380EPB	80	ZH37BX2B	ZH37-380	
ZH37-3100EPB	100	ZH37BX3B	ZH37-3100	
ZH37-3125EPB	125	ZH37BX3B	ZH37-3125	
Four pole, with rotating black handle 4极, 带黑色旋转手柄				
ZH37-416EPB	16	ZH37BX1B	ZH37-316	ZH37PA40
ZH37-432EPB	32	ZH37BX1B	ZH37-332	ZH37PA40
ZH37-463EPB	63	ZH37BX2B	ZH37-363	ZH37PA63
ZH37-4125EPB	125	ZH37BX3B	ZH37-3125	ZH37PA125
Four pole, with rotating red/yellow handle 4极, 带红/黄旋转手柄				
ZH37-416EPR	16	ZH37BX1	ZH37-316	ZH37PA40
ZH37-432EPR	32	ZH37BX1	ZH37-332	ZH37PA40
ZH37-463EPR	63	ZH37BX2	ZH37-363	ZH37PA63
ZH37-4125EPR	125	ZH37BX3	ZH37-3125	ZH37PA125

Installation diagram 安装示意图



Switch-Disconnectors

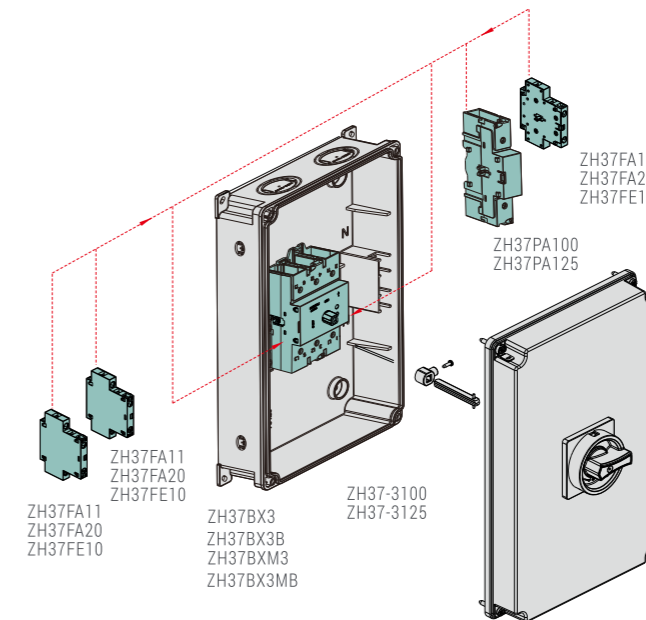
隔离开关



Switch-disconnectors in Aluminium Enclosures 铝盒隔离开关



Type 型号	IEC conventional free air thermal current Ith AC21A(≤690V) 热电流 [A]	Components Enclosure 空盒子	Switch Disconnector 主体开关	Fourth pole 第四极
Three pole, with rotating red/yellow handle 3极, 带红/黄旋转手柄				
ZH37-316EMR	16	ZH37BXM1	ZH37-316	
ZH37-325EMR	25	ZH37BXM1	ZH37-325	
ZH37-332EMR	32	ZH37BXM1	ZH37-332	
ZH37-340EMR	40	ZH37BXM1	ZH37-340	
ZH37-363EMR	63	ZH37BXM2	ZH37-363	
ZH37-380EMR	80	ZH37BXM2	ZH37-380	
ZH37-3100EMR	100	ZH37BXM3	ZH37-3100	
ZH37-3125EMR	125	ZH37BXM3	ZH37-3125	
Three pole, with rotating black handle 3极, 带黑色旋转手柄				
ZH37-316EMB	16	ZH37BXM1B	ZH37-316	
ZH37-325EMB	25	ZH37BXM1B	ZH37-325	
ZH37-332EMB	32	ZH37BXM1B	ZH37-332	
ZH37-340EMB	40	ZH37BXM1B	ZH37-340	
ZH37-363EMB	63	ZH37BXM2B	ZH37-363	
ZH37-380EMB	80	ZH37BXM2B	ZH37-380	
ZH37-3100EMB	100	ZH37BXM3B	ZH37-3100	
ZH37-3125EMB	125	ZH37BXM3B	ZH37-3125	
Four pole, with rotating black handle 4极, 带黑色旋转手柄				
ZH37-416EMB	16	ZH37BXM1B	ZH37-316	ZH37PA40
ZH37-432EMB	32	ZH37BXM1B	ZH37-332	ZH37PA40
ZH37-463EMB	63	ZH37BXM2B	ZH37-363	ZH37PA63
ZH37-4125EMB	125	ZH37BXM3B	ZH37-3125	ZH37PA125
Four pole, with rotating red/yellow handle 4极, 带红/黄旋转手柄				
ZH37-416EMR	16	ZH37BXM1	ZH37-316	ZH37PA40
ZH37-432EMR	32	ZH37BXM1	ZH37-332	ZH37PA40
ZH37-463EMR	63	ZH37BXM2	ZH37-363	ZH37PA63
ZH37-4125EMR	125	ZH37BXM3	ZH37-3125	ZH37PA125



Switch-Disconnectors

隔离开关



150X105mm



200X135mm



320X205mm

Plastic Enclosures 塑料盒

Type 型号	Applied to 适用于	Description 描述
With rotating red/yellow handle. Complete with shaft extension. 带红/黄旋转手柄,带扩展轴		.Polymeric housing material .Padlockable handle .Sealable cover .Degree of protection: Ip67 .Impact resistance: 1k08 .Entries: ZH37BX1: M25/M20 and M16 ZH37BX1: M32/M25 and M16 ZH37BX3: M50/M40 and M16 The empty enclosures are supplied with the following accessories: 1) Black or Red/Yellow handle 2) Earth/Ground plate terminal 3) Shaft extension 4) Neutral plate terminal if required.
ZH37BX1	ZH37-316B~ZH37-340B	
ZH37BX2	ZH37-363B,ZH37-380B	
ZH37BX3	ZH37-3100B,ZH37-3125B	
With rotating black handle. Complete with shaft extension. 带黑色旋转手柄,带扩展轴		.采用PC/ABS高强度塑料外壳 .手柄可挂锁 .盖上可加封条 .防护等级: IP67 .抗冲击性: IK08 .进/出线孔: ZH37BX1: M25/M20 and M16 ZH37BX2: M32/M25 and M16 ZH37BX3: M50/M40 and M16 空盒子带如下附件: .黑色或红/黄手柄 .接地端子 .扩展轴 .如果需要可带N极端子
ZH37BX1B	ZH37-316B~ZH37-340B	
ZH37BX2B	ZH37-363B,ZH37-380B	
ZH37BX3B	ZH37-3100B,ZH37-3125B	

Switch-Disconnectors

隔离开关



150X105mm



200X135mm



320X205mm

Aluminium Enclosures 铝盒

Type 型号	Applied to 适用于	Description 描述
With rotating red/yellow handle. Complete with shaft extension. 带红/黄旋转手柄,带扩展轴		.Aluminium alloy material .Padlockable handle .Sealable cover .Degree of protection: IP67 .Impact resistance: IK10 .Entries: Upon users' demand The empty enclosures are supplied with the following accessories: 1) Black or Red/Yellow handle 2) Earth/Ground plate terminal 3) Shaft extension 4) Add on Neutral plate terminal if required.
ZH37BXM1	ZH37-316B~ZH37-340B	
ZH37BXM2	ZH37-363B,ZH37-380B	
ZH37BXM3	ZH37-3100B,ZH37-3125B	
With rotating black handle. Complete with shaft extension. 带黑色旋转手柄,带扩展轴		.采用铝合金压铸成型外壳 .手柄可挂锁 .盖上可加封条 .防护等级: IP66 .抗冲击性: IK08 .进/出线孔: 根据用户需要 空盒子带如下附件: .黑色或红/黄手柄 .接地端子 .扩展轴 .如果需要可带N极端子
ZH37BXM1B	ZH37-316B~ZH37-340B	
ZH37BXM2B	ZH37-363B,ZH37-380B	
ZH37BXM3B	ZH37-3100B,ZH37-3125B	

Switch-Disconnectors

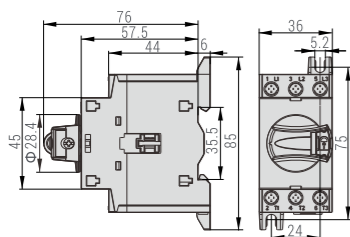
隔离开关



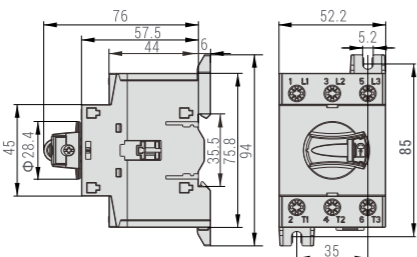
Reference Dimension: 参考尺寸

Main body switch 开关主体

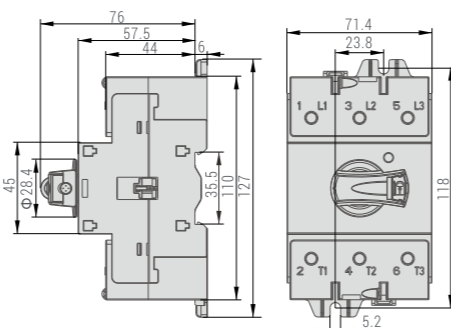
ZH37-316, ZH37-325,
ZH37-332, ZH37-340



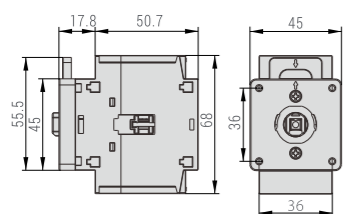
ZH37-363, ZH37-380



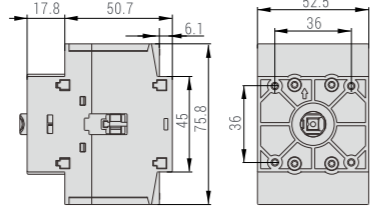
ZH37-3100, ZH37-3125



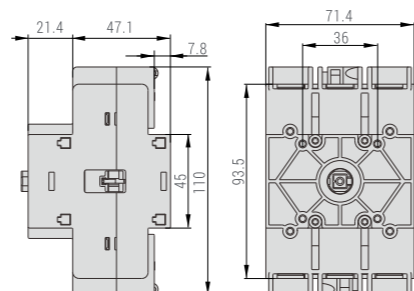
ZH37-316C, ZH37-325C,
ZH37-332C, ZH37-340C



ZH37-363C
ZH37-380C

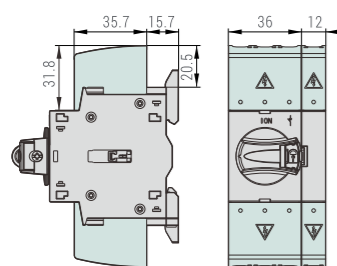


ZH37-3100C
ZH37-3125C

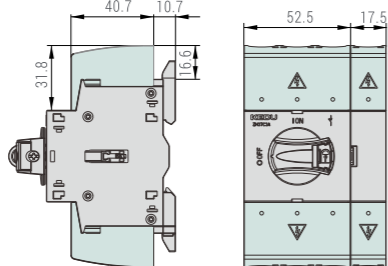


Terminal cover 端子罩

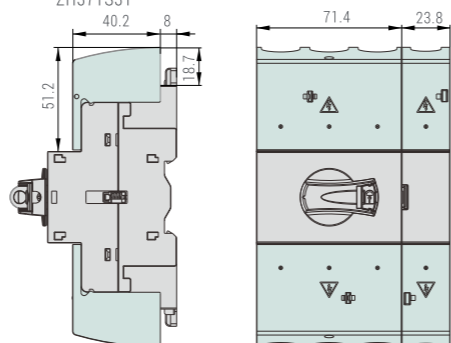
ZH37TS13
ZH37TS11



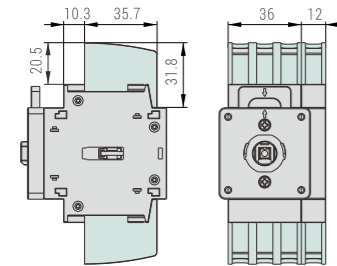
ZH37TS23
ZH37TS21



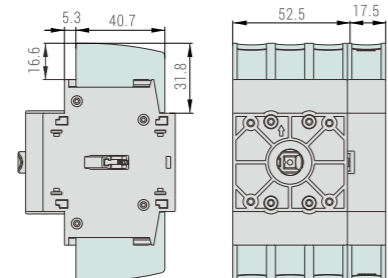
ZH37TS33
ZH37TS31



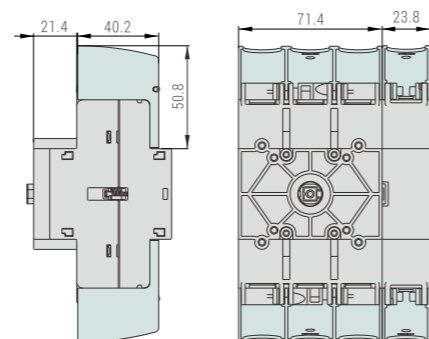
ZH37TS13
ZH37TS11



ZH37TS23
ZH37TS21



ZH37TS33, ZH37TS31



Switch-Disconnectors

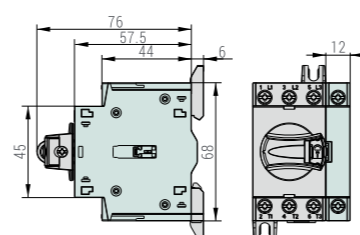
隔离开关



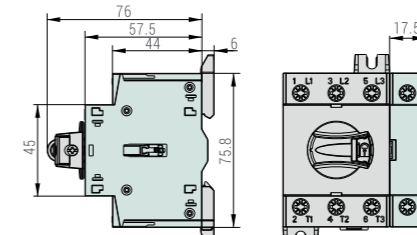
Reference Dimension: 参考尺寸

Add on pole 附加极

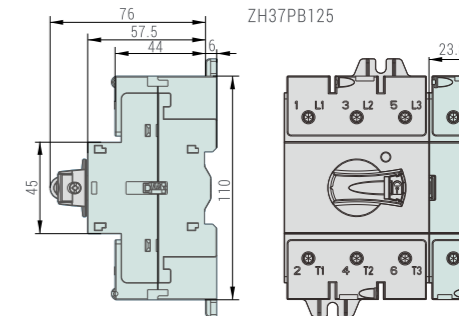
ZH37PA40 ZH37PN1
ZH37PB40 ZH37PE1



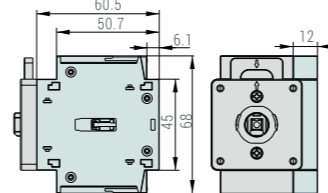
ZH37PA63 ZH37PN2
ZH37PA80 ZH37PE2
ZH37PB80



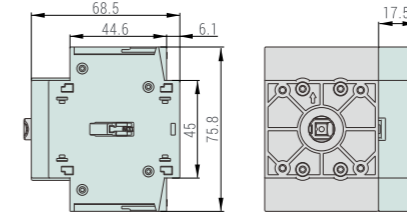
ZH37PA100 ZH37PN3
ZH37PA125 ZH37PE3
ZH37PB125



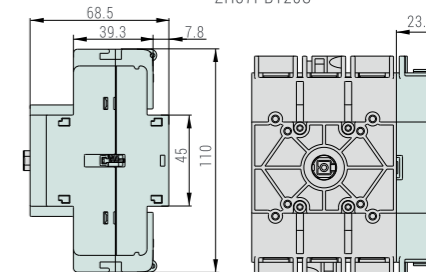
ZH37PA40C ZH37PN1C
ZH37PB40C ZH37PE1C



ZH37PA63C ZH37PN2C,
ZH37PA80C ZH37PE2C
ZH37PB80C

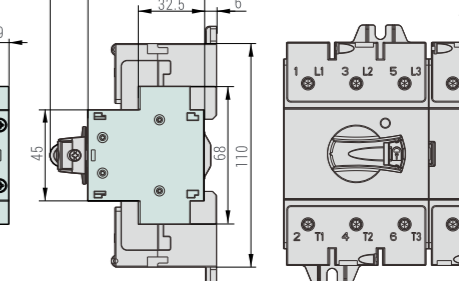
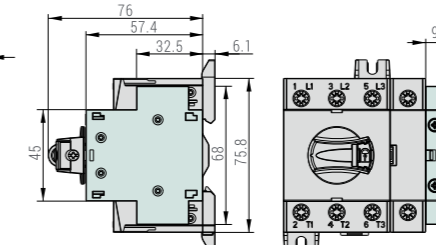
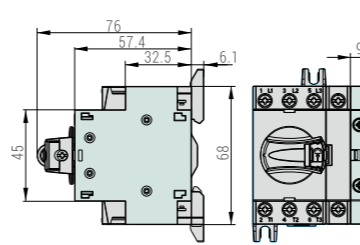


ZH37PA100C ZH37PN3C
ZH37PA125C ZH37PE3C
ZH37PB125C

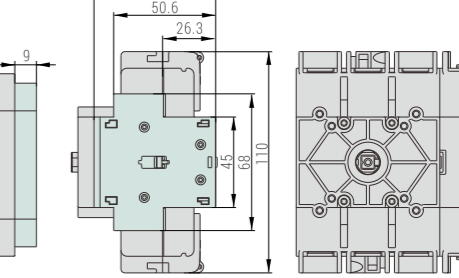
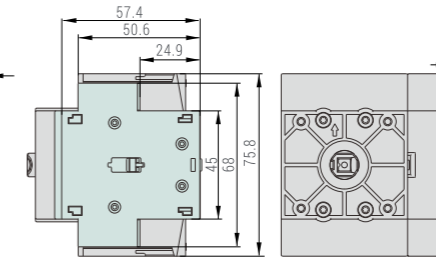
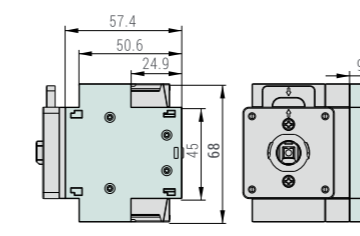


Auxiliary contact 辅助触头

ZH37FA11, ZH37FA20, ZH37FE10



ZH37FA11C, ZH37FA20C, ZH37FE10C



Switch-Disconnectors

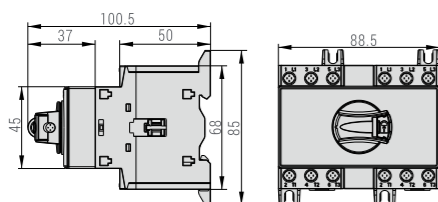
隔离开关



Reference Dimension: 参考尺寸

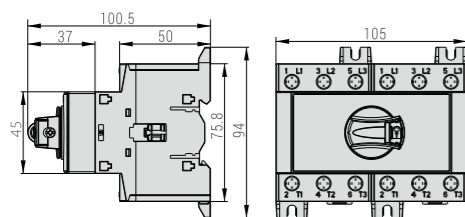
6-8 poles 40A

6-8极 40A



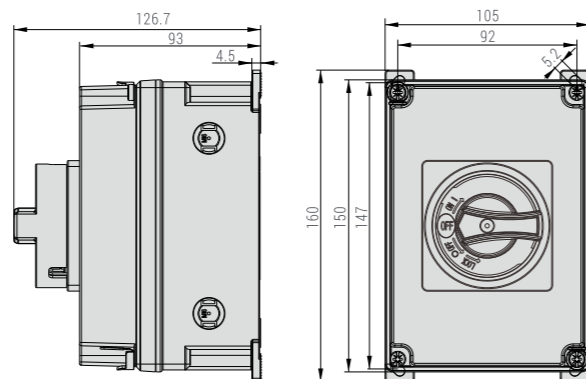
6-8 poles 80A

6-8极 80A

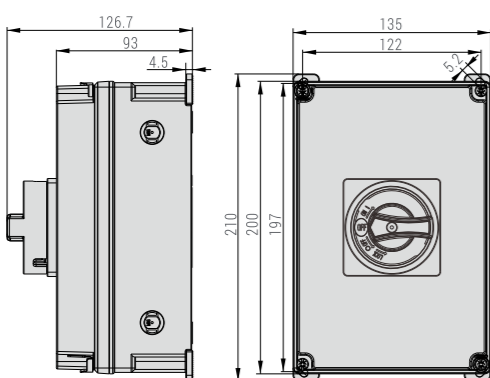


Plastic Enclosures
塑料盒

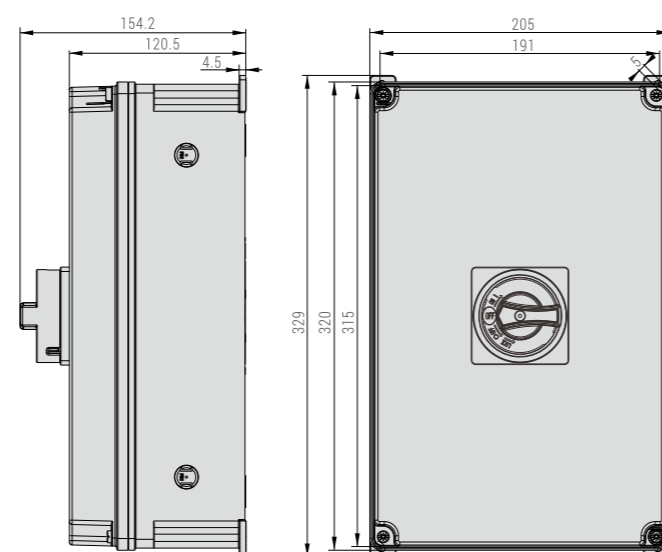
ZH37BX1
ZH37BX1B



ZH37BX2
ZH37BX2B



ZH37BX3
ZH37BX3B



Switch-Disconnectors

隔离开关

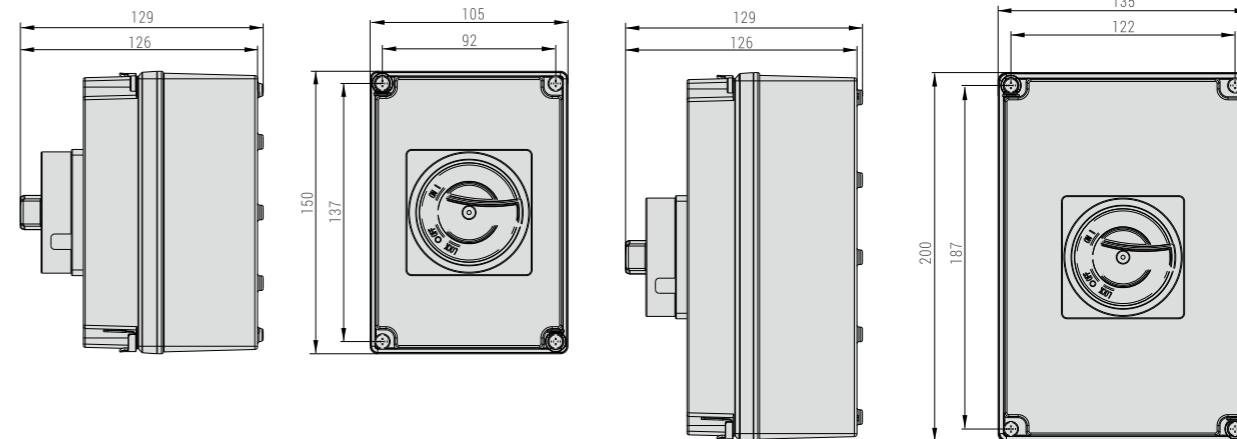


Reference Dimension: 参考尺寸

Aluminium Enclosures
铝盒

ZH37BXM1
ZH37BXM1B

ZH37BXM2
ZH37BXM2B



ZH37BXM3
ZH37BXM3B

